

Xero Twin P/L

Assembly and operating instructions
USA & CANADA

visplay

play it smart

Visplay products are manufactured according to the latest technology and comply with valid rules and regulations.

Nevertheless, these products can cause injury or damage if:

- the product is improperly installed
- the product is improperly used
- the product is improperly altered or modified
- original accessories are not used
- the safety regulations are not observed.

WARNING

Each person involved in the planning, installation and/or use of our products must be carefully read and observe these instructions of use.

The following are of course also valid:

- Relevant accident prevention regulations
- Generally recognized safety rules
- National regulations – please consult Visplay if there is a discrepancy with the Assembly manual

Safety instructions

WARNING

When playing, children often incorrectly assess danger. You must therefore make sure that your store fittings are not used as toys.

Please pay attention to the following points:

- Structural conditions, in particular the design and bearing capacity of walls, ceilings and floors. If bearing capacity for the specified tractive or pressure load cannot be achieved by suitable fastening or stabilising elements, please refrain from installation.
- All the structural components supplied for stabilising structures are to be used in an unrestricted manner and must not be removed.
- The products may only be loaded after all the installation steps have been completed.
- Merchandise supports should be loaded as evenly as possible.
- Avoid loading in fits and starts.
- The maximum weight loads is to be observed. This can be found in the instructions on assembly and use, as well as in our sales documentation.
- Furniture with castors is generally much more unstable than furniture with glides. Tall, heavy structures on castors should thus be avoided.
- The recommendations of your safety officer should also be observed.

General care for chrome, silk and pearl

In clothing retail applications, frequent dragging of clothes hangers along the surface can cause slight abrasion to their hooks. This effect is most pronounced - more so than with front-on horizontal or inclined-pole displays - where garments are hung side-on such that hangers have to be moved more frequently. To prevent garments from becoming soiled, cleaning of the hanging rods is essential.

This abrasion can be considerably reduced by using a coat hanger cover (scliss, 929-449.02).

No responsibility can be accepted for damage caused by soiling, as the above mentioned abrasion depends on the material of the coathangers in use.

With powder-coated surfaces subject to frequent use, use of special paints is recommended. We will be happy to advise you.

Use and care of merchandise supports with anodised aluminium surfaces

Visplay merchandise supports with anodised aluminium surfaces are hard-wearing. However, the exchange of accessories might cause slight marks on the surface. Accessories with plastic inserts usually cause less wear or none at all.

To remove the marks, we recommend using cleaning agents ranging from pH 5–8 (do not use any detergents with acidic or alkaline reaction). Clean by washing the surfaces using a sponge and water containing a wetting agent. Then remove any loose or greasy dirt. Rubbing off the surfaces with detergent using pure cotton waste or porous cleaning tissue and applying the necessary pressure in rubbing direction will remove the marks. Aluminium profiles with widths exceeding **200 mm/ 7.874"** must be subjected to abrasive cleaning using detergents specifically developed for this purpose. The cleaning agents developed for abrasive cleaning contain very finely ground neutral polishing agents and have to be adapted to the oxide layer. Alternatively, cleaning can be carried out using an abrasive fibrous web (e.g. Scotch-Brite, type A, red, fine or very fine) in combination with a non-abrasive detergent.

Subsequently, residual cleaning agents should to be rinsed off using a sponge and clear water. Then rub off the part with a chamois.

Copyright

This manual is protected by copyright. Its use is permissible as part of the use of the product. Any use other than this is not permitted without written consent of the manufacturer.

Our General Terms and Conditions apply for all orders.

Dimensions are generally shown in **millimeters** and inches.

TECHNICAL DATA SHEET XERO TWIN P/L

Xero Twin P/L has a CE label and a UL certificate for U.S. and Canada.

Converter 24 V for electrified profile

Converter with input voltage 120–240 V / mains frequency: 50–60 Hz electronic protection against overload, overheating and short-circuit.

- Housing temperature max. 75 °C / max. 167 °F
- Nominal output voltage: 24 V / SELV
- Power supply with permissible nominal current of max. 4 A
- Connection cable from converter to infeed unit **500 mm / 19.685"**
- Class 2

NOTICE! If dimmers are to be used, electronically controlled, low-voltage dimmers must be installed!

! Please make sure that the inspector has access to the driver



Single power adapter 24 V

Single power adapters can be used with the Xero L P/L and Xero Twin P/L systems. Low voltage lighting may only be connected by trained personnel.

If multiple adapters and appliances will be used, their total power consumption may not exceed the specified nominal current or fuse rating. The permissible nominal voltage and nominal current are also limited according to the adapters used (see printed label and safety information).

Permissible nominal current max. 4 A.

Product safety

Xero Twin P/L electrification in detail: conductor rail with power supply, integrated into system support profile.

Correct functioning and safety are guaranteed when properly used. No liability is accepted in event of improper use. Product safety is based exclusively on the use of original Xero Twin P/L accessories from Visplay.

No alterations may be made, for safety reasons; the only exception is the shortening of profiles from the upper side.

The safety instructions of the assembly instructions must be followed as well as the instructions on the labels of the individual parts.

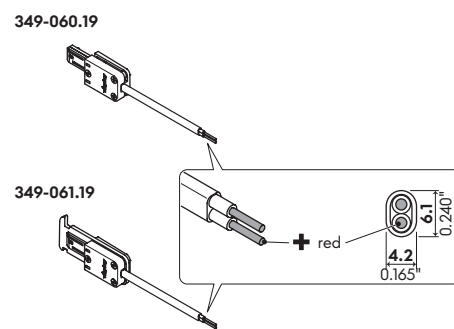
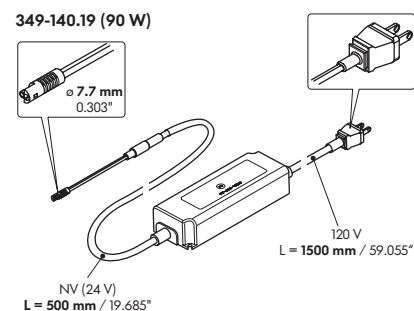
The indicated nominal current (A) may not be exceeded.

In event of improper use or cleaning with liquids, a risk of an electric shock exists due to possibly exposed live parts. Always disconnect from power before cleaning or servicing.

If rails or adapters exhibit visible signs of damage, disconnect them immediately and inform your service technician.

! Only use Xero Twin P/L system accessories! Do not use any other parts.

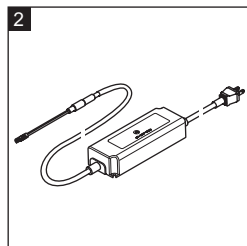
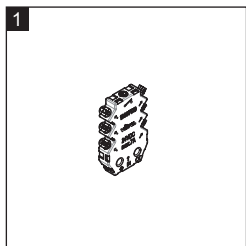
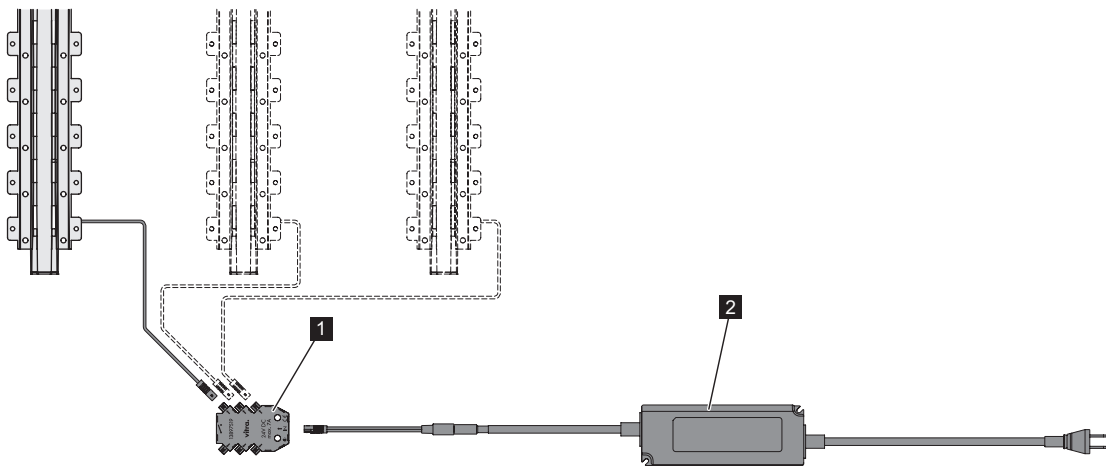
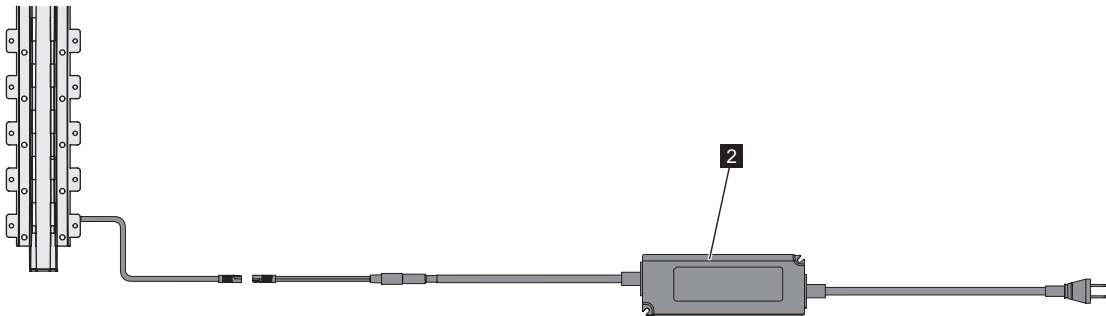
The user is responsible for ensuring that any connected equipment is electrically, mechanically and thermally compatible with the conductor rail.



Visplay connection system

⚠ Check the power consumption of electrical appliances! The maximum power consumption should be 10% below the nominal power of the converter.

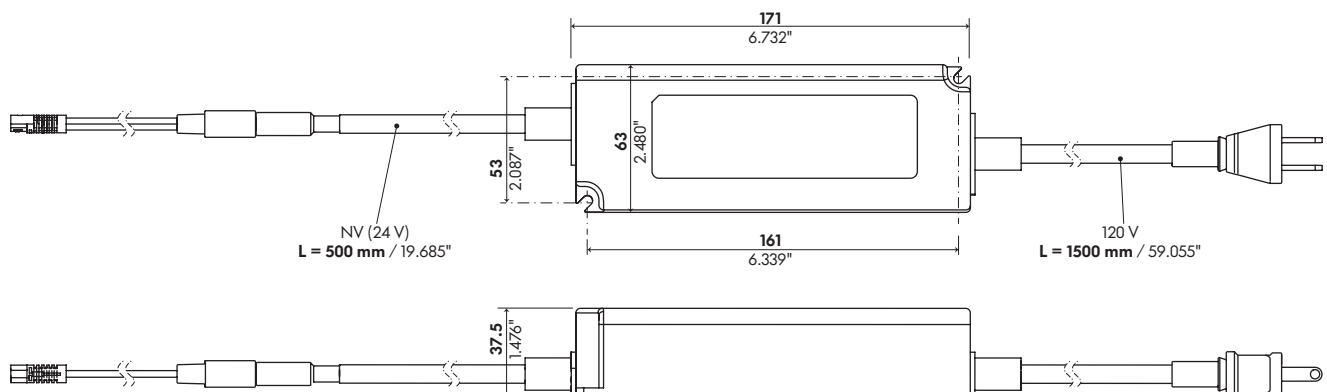
Powering with 90 W converter



1 24 V distributor, 6 way - optional

2 90 W LED converter

Dimensions of the 90 W converter



Assembly dimensions / Layout

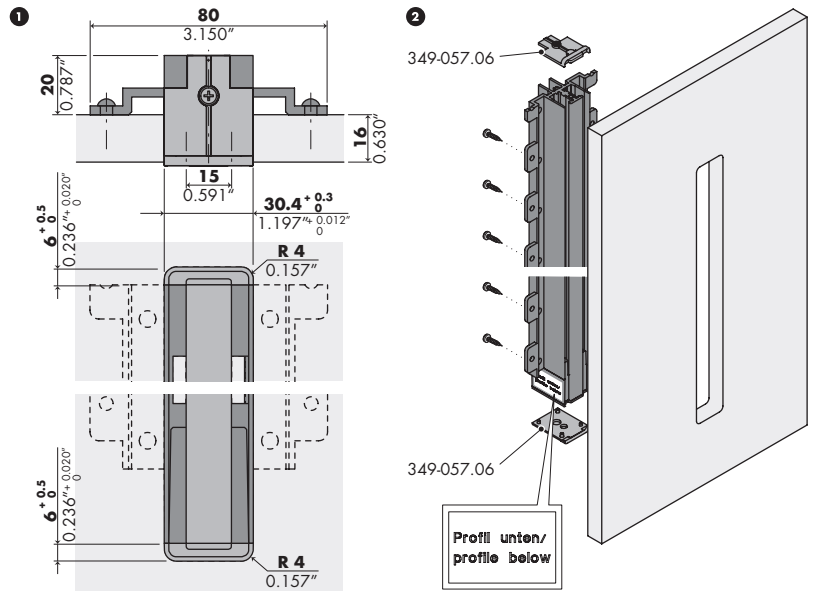
Xero Twin P/L Aluminium profiles can be screwed on panels or various substructures on the wall. The accessories from Xero Twin P/L and Xero 8 can be used.

ⓘ Please observe the indications concerning weight loads and ensure that the substructure of the wall units/furniture and their fixtures can support the expected loads.
 With free-standing furniture, ensure that there is sufficient stability even with the intended merchandise supports.

Assembly in wooden panels

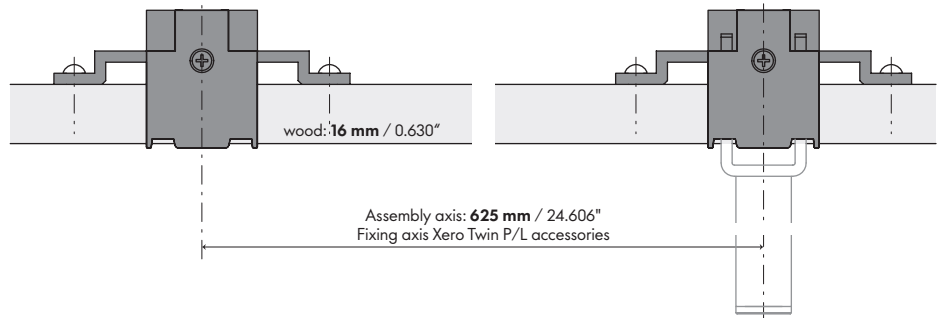
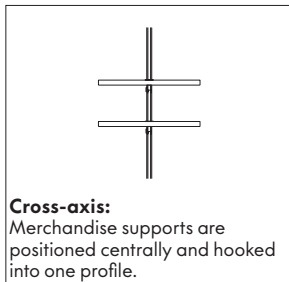
Wooden panels on to which Xero Twin P/L is to be fixed, must be countersunk as follows: (1).

Screw the profile Xero Twin P/L on to the panel from the rear.
 Fix the profile caps 349-057.06 to the top of the profile and to the bottom of the power supply, before the profile is installed to the panel (2).

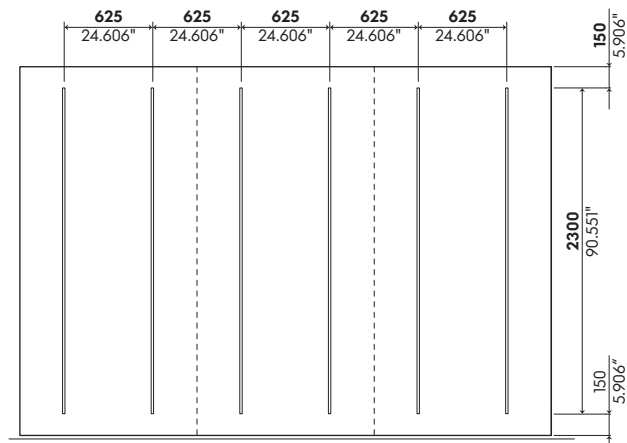


ⓘ The lower end of the profile is marked with "profile below".

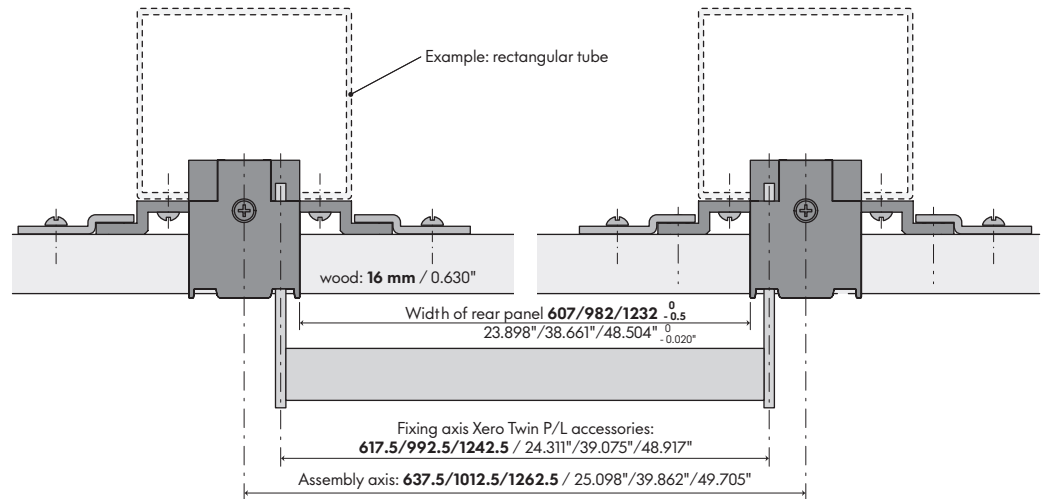
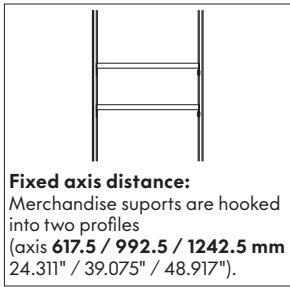
Assembly dimensions: Xero Twin P/L profile screwed on to countersunk wooden panels from the rear / cross-axis



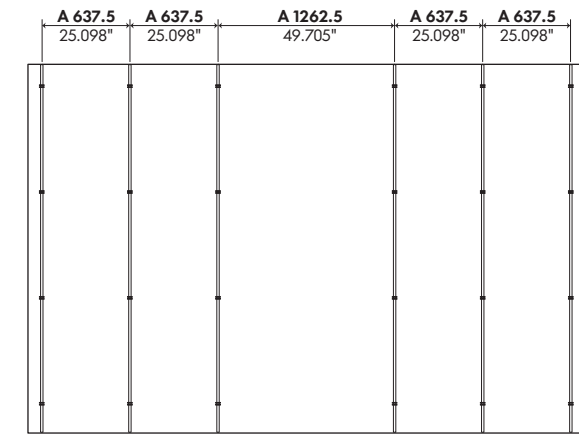
Recommendation for profile axis with Xero Twin P/L accessories.



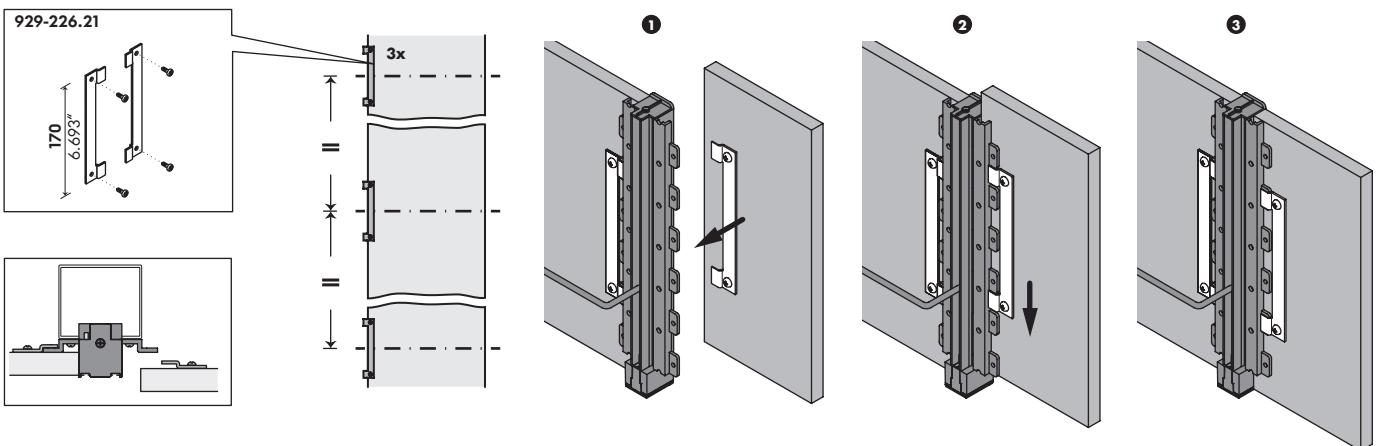
Assembly dimensions: Xero Twin P/L profile screwed on to substructure and rear panels attached from the front / fixed axis distance



Recommendation for profile axis with Xero Twin P/L and Xero 8 accessories.



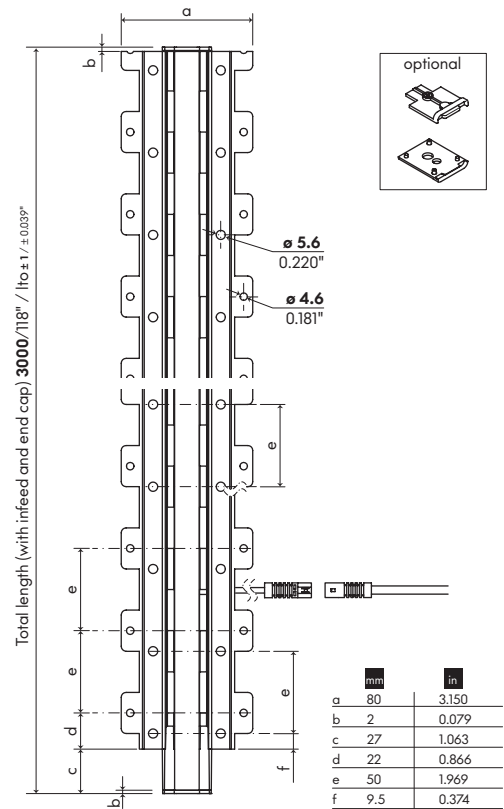
Inserting the panels into Xero Twin P/L profile



Dimensions and distances of holes

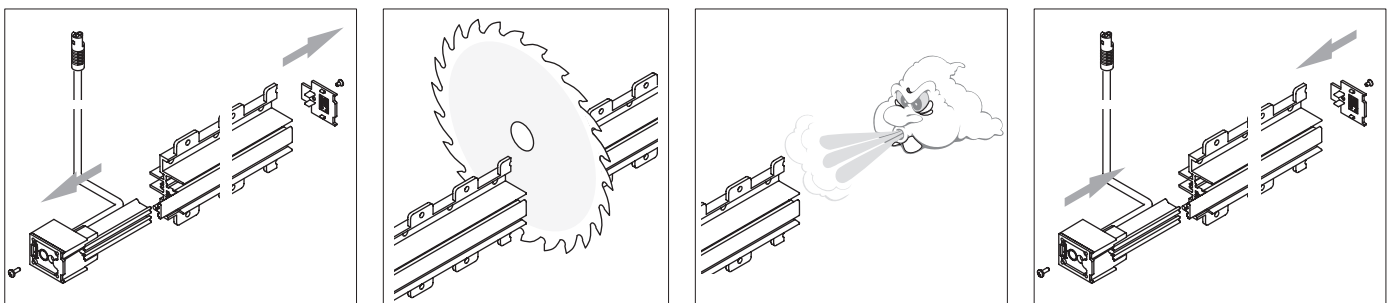
All fastening points have to be used in event of maximum loads!

- ❗ End caps must be fitted on profile with conductor rail.
- Take care to assemble the profile in the correct direction (power supply must be below).
- Power supply is available via the left profile slot. The right-hand side is fitted with a non-powered profile.
- Depending to your local regulations, a conduit must be used for the primary side of the driver. Check this before installation.
- It must be ensured that access to the driver is possible for inspection and subsequent servicing.



Shortening a profile

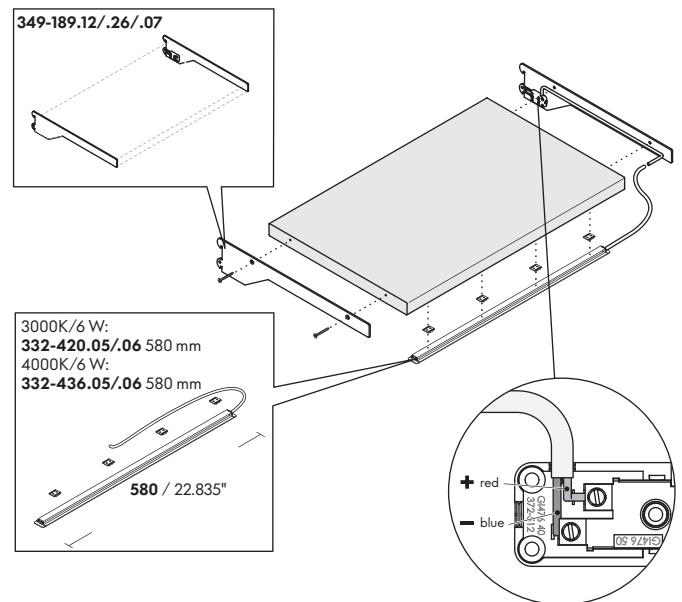
- ❗ The electrical components and the end cap must be removed before shortening the profile. Always shorten a profile from the top side and burr the edges. Make sure that all shavings are removed from the profile. The electrical components and end cap must be fitted back onto the profile.



Wooden shelf for brackets with single power adapter

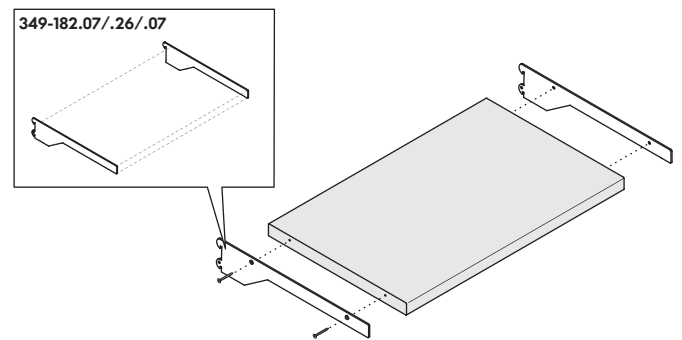
ⓘ For wooden shelf max. **1245 mm/49.016"** long by max. **380 mm/14.961"** deep and max. **12 W** power consumption.

📄 Production drawings of wooden shelves are available for downloading on www.visplay.com or can be received on request. Drawing no. 229-120



Wooden shelf for brackets

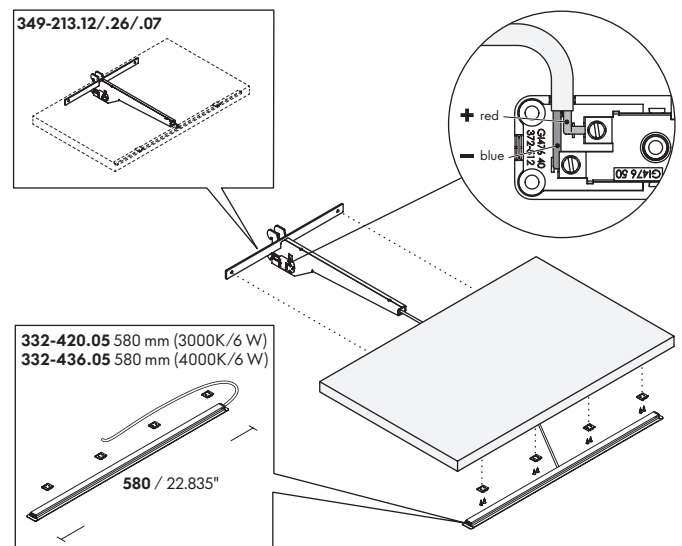
📄 Production drawings of wooden shelves are available for downloading on www.visplay.com or can be received on request. Drawing no. 252-821



Wooden shelf for T-bracket with single power adapter

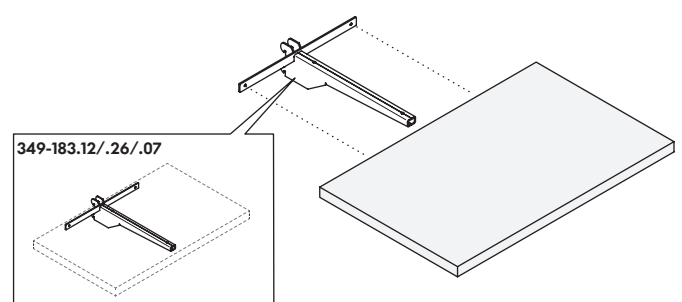
ⓘ For wooden shelf max. **650 mm/25.591"** long by max. **356 mm/14.016"** deep and max. **6 W** power consumption.

📄 Production drawings of wooden shelves are available for downloading on www.visplay.com or can be received on request. Drawing no. 247-841

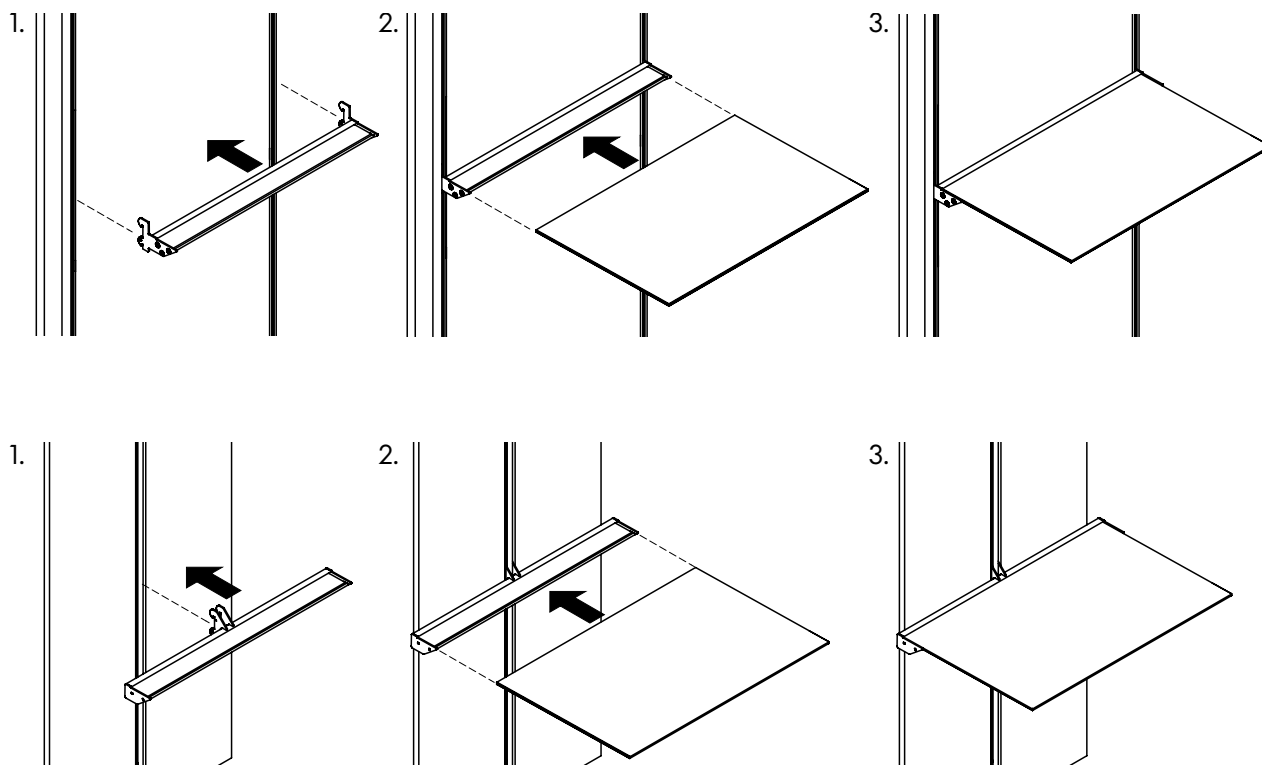


Wooden shelf for T-bracket

📄 Production drawings of wooden shelves are available for downloading on www.visplay.com or can be received on request. Drawing no. 252-820



Attaching the glass shelf



ⓘ The merchandise support has a slight slope (approx. 2°)

Weight loads

ⓘ The indicated weight loads are always based on the total weights of the merchandise support and goods. Please note that max. permissible load decreases as the merchandise support increases in length. Please note that the inclination of the merchandise support changes with an increase in load. Different weights on the merchandise supports result in an uneven overall appearance of the goods display. Please note that the weight limit can be reduced considerably when mounting in glass and sheet metal. The max. permissible load of the Xero Twin P/L depends on the nature of the wall, the number of fastening points as well as the fastening material used. All fastening points have to be used in event of a maximum weight load. Please also observe the weight loads indicated in our sales documentation.

Max. load

Profile	per 1000 mm/40"	220 lbs
Glass shelf with/without LED lighting		55 lbs
Brackets with/without single power adapter 24 V for wooden shelf		55 lbs
T-bracket with/without single power adapter 24 V for wooden shelf		55 lbs
Fixing set		44 lbs
Front arm, straight 30 x 15 mm/1 3/16" x 5/8"		55 lbs
Side hanging rail 30 x 15 mm, 600 mm/1 3/16" x 5/8", 24", T-Arm		55 lbs
T-bracket 25 x 4 mm/1" x 3/16" for wooden or glass shelf		55 lbs
Bracket 30 x 5 mm/1 3/16" x 13/64" for hanging rail 30 x 15 mm/30 x 15 mm		55 lbs
Bracket 30 x 5 mm/1 3/16" x 13/64" for wooden or glass shelf		55 lbs
Clamping bracket for glass shelf		33 lbs

visplay

www.visplay.com visplay-usa@visplay.com